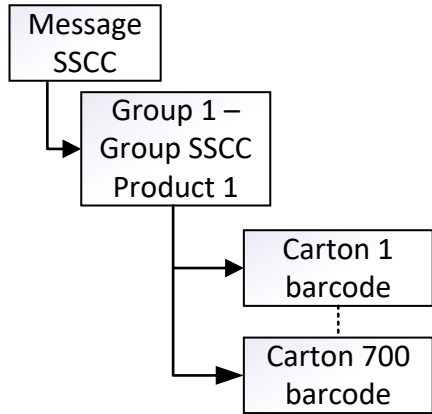


# Meat Messaging Understanding SSCC usage

## Case 1: Single Virtual Group SSCC

700 cartons of the same product code loaded into a container (Export message) or on a truck (eMTC message).

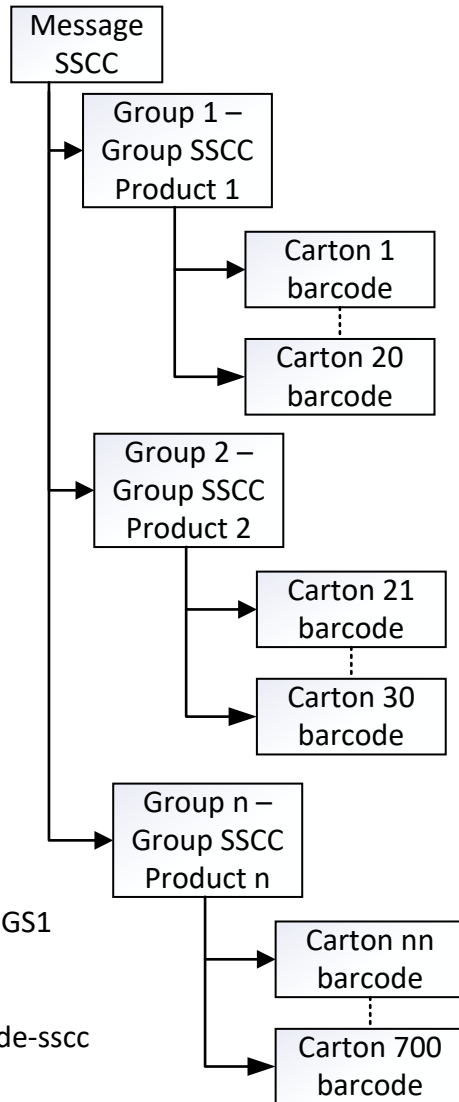
**Cartons are individually scanned.**



## Case 2: Many Virtual Group SSCCs

700 cartons of mixed product codes loaded into a container (Export message) or on a truck (eMTC message).

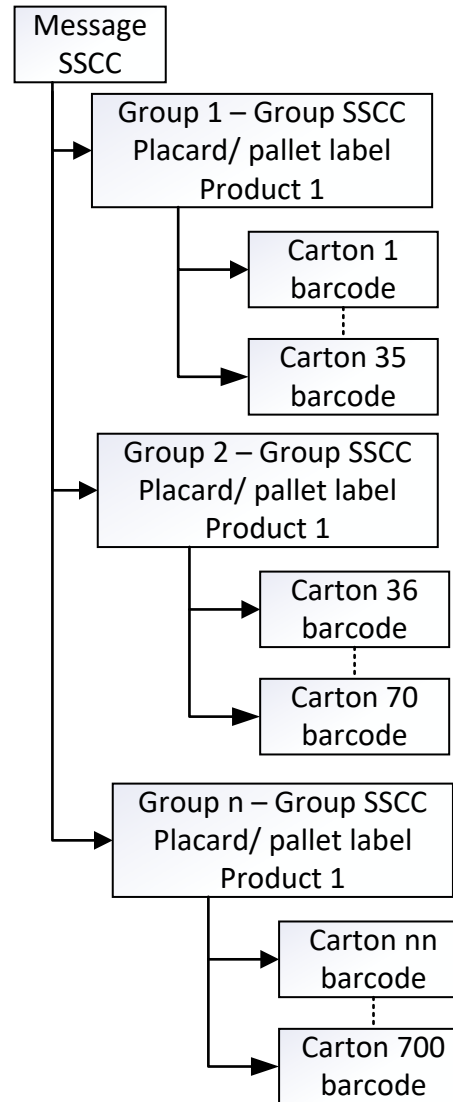
**Cartons are individually scanned.**



## Case 3: Placard/ label Group SSCCs

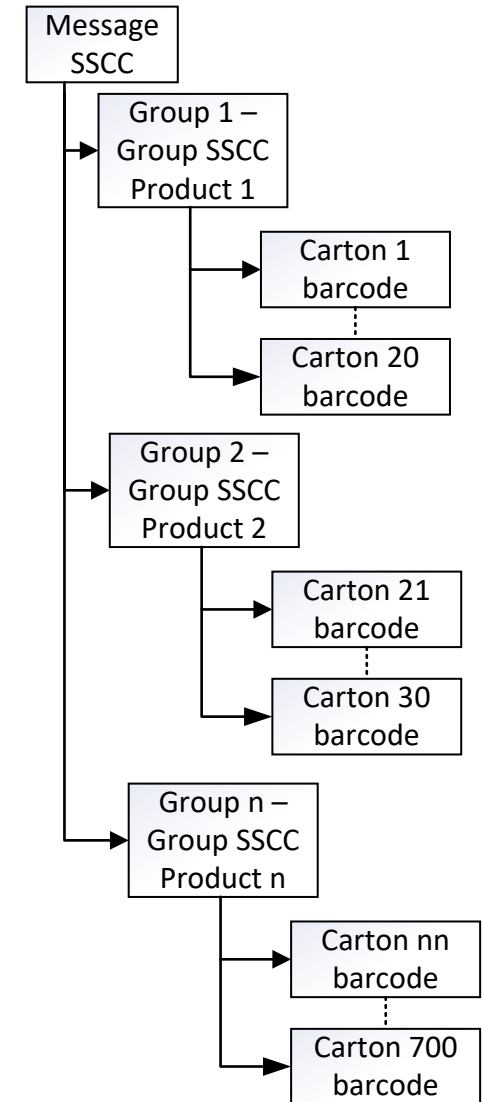
700 cartons of the same product code palletised (slip sheet and placards) as logistics units loaded into a container (Export message) or on a truck (eMTC message).

**Pallet placard/ labels scanned.**



## Case 4: Many Virtual Group SSCCs

700 cartons of the different product codes palletised as transport units loaded into a container (Export message) or on a truck (eMTC message). At receiving the pallet is broken down and any pallet labels destroyed. **Cartons are individually scanned.**



For details on creating an SSCC see the GS1 SSCC details:  
<https://www.gs1au.org/what-we-do/standards/serial-shipping-container-code-sscc>